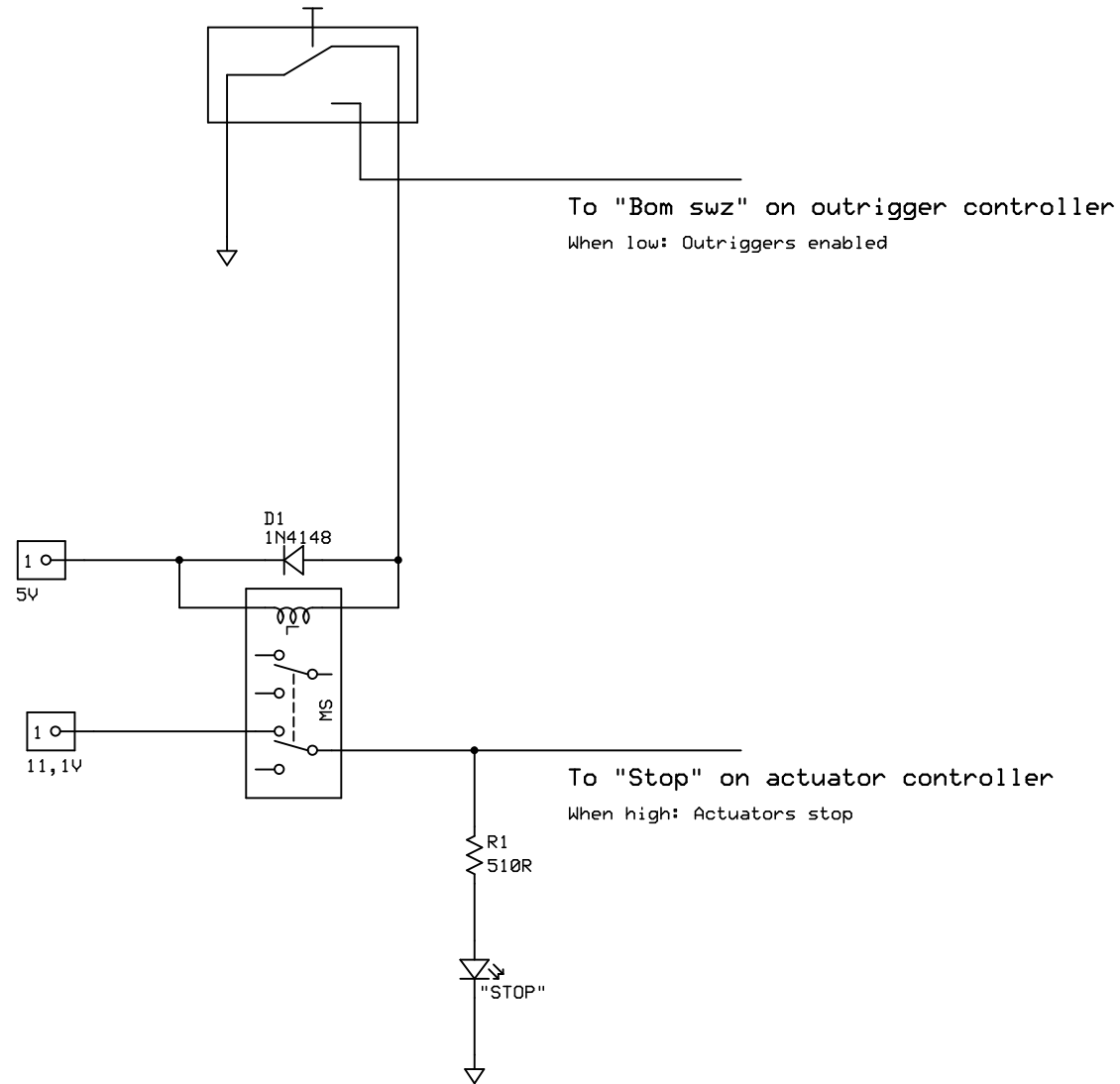


# Boom switch



Ensures that outriggers only work when the boom is NOT up,  
and that the actuators stop when the boom reaches the boom rest bracket end stop.

<b>Boom switch</b>		
LTM 1500-8.1		RHH 0912
Robert Holsting	Rev 1.0 02-02-2015	Page 1/1