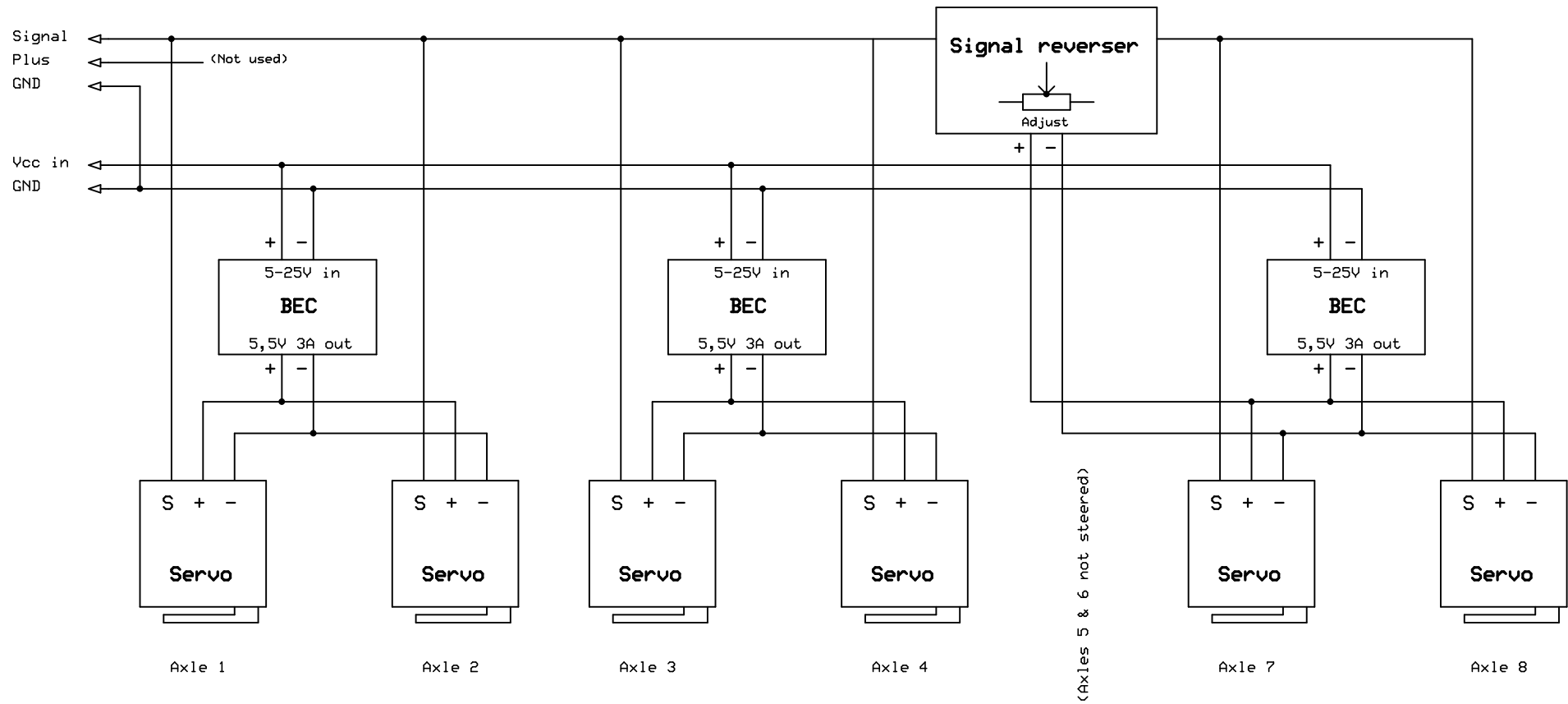


From receiver



Local BEC prevents heavy steering from overloading receiver, and give the steering servos more power when needed.

LTM 1500-8.1 - RHH 0912

Steering

Robert Holsting	Rev 1.0	Page 1 of 1
	08-JUNE-2014	